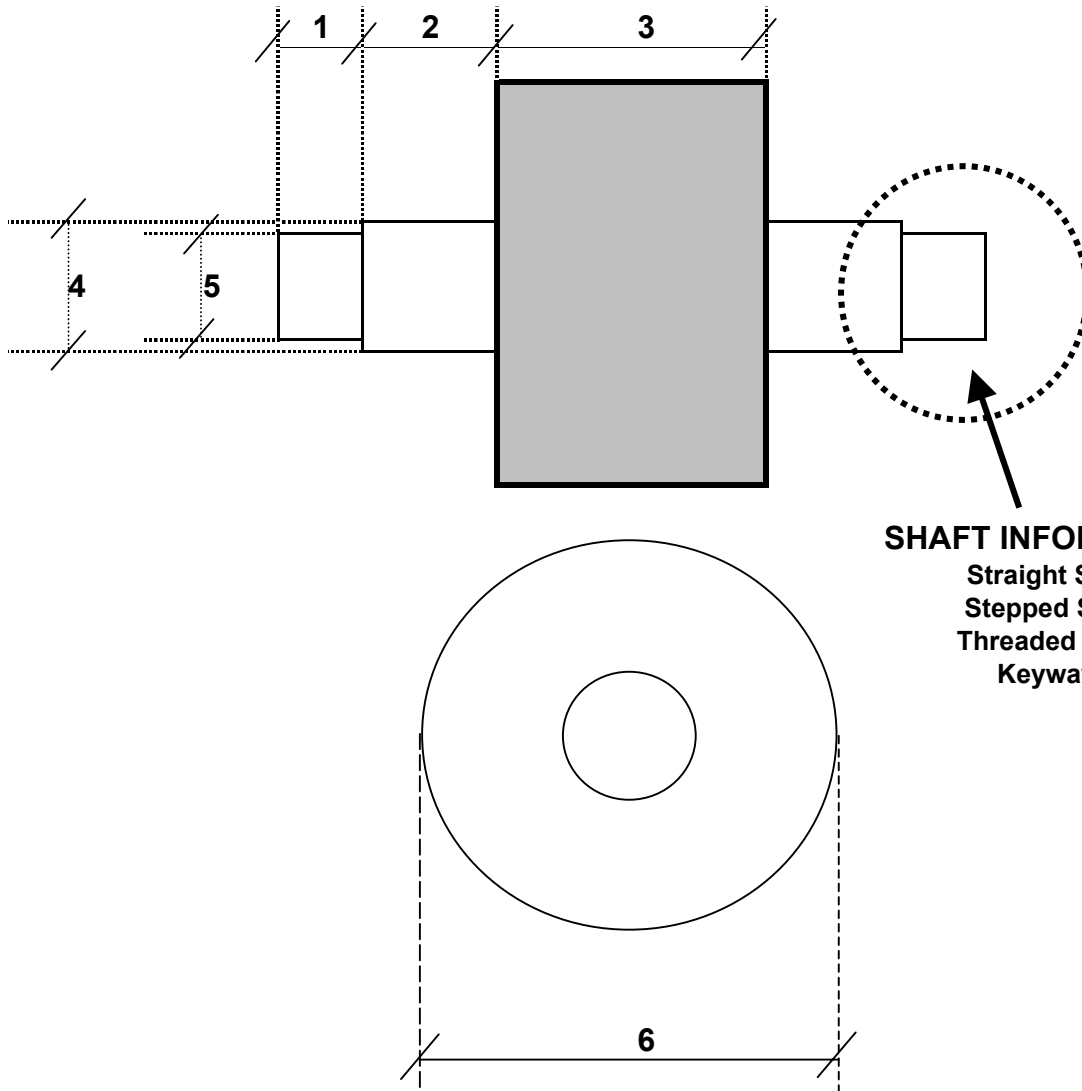




**ROTARY
SERVICE
COMPANY**



SHAFT INFORMATION

- Straight Shaft
- Stepped Shaft
- Threaded Shaft
- Keyways

DIMENSION:

- 1 _____
- 2 _____
- 3 _____
- 4 _____
- 5 _____
- 6 _____

MATERIALS SPECIFICATIONS:

- Trunnion Metal: _____
- Trunnion Hardness: _____
- Shaft Metal: _____
- Shaft Hardness: _____
- Bearing Type: _____
- Housing Type: _____

PO Box 805 - 2068 Old Highway 135 NW
 Corydon, Indiana 47112
 812.734.1072 Fax 812.734.1171 Toll Free 877.553.1072
 rotaryservicecompany.com